

SPILL CHECK™

HYDROCARBON SENSING VALVE (Patent Pending)



Hydrocarbon spills have cost money and been a recurring maintenance headache – until now! **Spill Check™** is now available to detect the presence of hydrocarbons in the liquid flow and to automatically close, thus protecting the surrounding soil or the ground water from hydrocarbon contamination.

Primarily designed for floating roof storage tank drain systems, tank farm dike drain systems, and wastewater treatment facilities, **Spill Check™** remains open during normal operation, allowing rainwater and non-hydrocarbon liquids to flow and drain from the tank or dike area. However, should hydrocarbons enter the liquid flow, the internal sensing characteristics of the **Spill Check™** cause it to close, containing the problem and protecting the environment.

Spill Check™ has been designed for trouble-free performance. Since this valve is mechanically actuated, replacement of the Hydrocarbon Sensing Element upon repair of the source of the hydrocarbon leak source will reset the actuator. Winter freeze-ups are reduced because the drainage system can remain open due to **Spill Check™** monitoring the liquid flow.



INNOVATIVE SOLUTIONS TO TANK MAINTENANCE



OFFICES AND SUBSIDIARIES

HMT, Inc. Corporate Headquarters
23832 Tomball Parkway
Tomball, Texas 77375
281.893.9150 • Fax 281.893.6014
email: TankServices@hmttank.com
www.hmttank.com

Beaumont, Texas
409.866.0552 • Fax 409.866.7728

Corpus Christi, Texas
361.241.5717 • Fax 361.241.5536

Midland, Texas
915.570.8814 • Fax 915.682.4360

Prairieville, Louisiana
225.677.9990 • Fax 225.677.9959

Bixby, Oklahoma
918.366.2030 • Fax 918.366.2880

Tonkawa, Oklahoma
580.628.2552 • Fax 580.628.2324

Kelton, Pennsylvania
610.869.8535 • Fax 610.869.3885

Warsaw, Indiana
219.268.2105 • Fax 219.268.2104

Anaheim, California
714.956.8880 • Fax 714.956.8710

Benicia, California
707.747.6256 • Fax 707.747.6278

Everett, Washington
425.348.1277 • Fax 425.348.6771

HMT Inspection & Engineering Services
713.676.6150 • Fax 713.676.6193

HMT Rubbaglas, Ltd.
London, England
011.44.207.732.0262
Fax 011.44.207.639.8017

HMT Canada Ltd.
Calgary, Alberta
403.259.3330 • Fax 403.257.4756

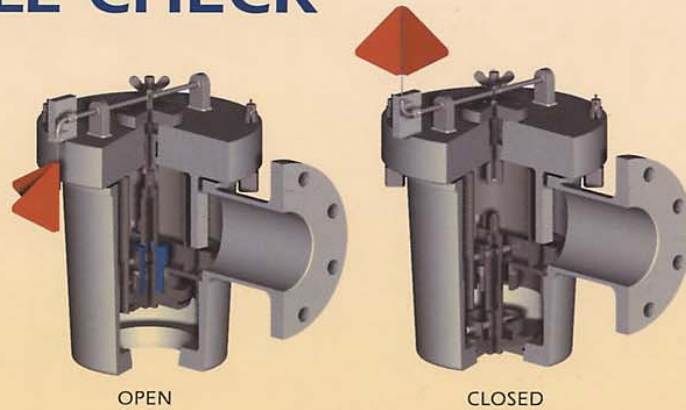
Australasian HMT Pty, Ltd.
Edgecliff, Australia
011.61.2.9327.3611
Fax 011.61.2.9362.4863

HMT Singapore Pte, Ltd.
011.65.566.3160
Fax 011.65.566.2716

Bahrain
Manama, Bahrain
011.973.625.045/624.957
Fax 011.973.622.493/625.762

Latin American Sales
Houston, Texas
281.893.9150 • Fax 281.893.6014

SPILL CHECK™



VALVE CLOSURE RESPONSE TIME

PRODUCT	RESPONSE TIME
Gasoline	15.4 Seconds
Diesel	59.8 Minutes
Kerosene	11.5 Minutes
Light Crude Oil	27.8 Seconds
Medium Crude Oil	48.0 Minutes

NOTES:

1. Response times based upon a flow rate of One Gallon per Hour.
2. Test results certified by Independent Testing Laboratory.
3. Testing conducted at ambient temperature using 100% concentration of products tested.
4. Response times indicate average elapsed time from product entry to valve closure.
5. Response time will vary, depending upon percentage of aromatics in liquid product.

SPILL CHECK™ OFFERS MANY ADVANTAGES

- Can be used in many drainage system applications
- Protection of surrounding soil and ground water from contamination
- No external power required for operation
- Visual and remote indicators signal valve closure
- Reduced maintenance costs
- Floating roof drain system valves can remain open
- Reduces possibility of floating roof sinking
- Easy to install
- Immediate delivery
- Can be fitted with electronic sensors

Spill Check™ Hydrocarbon Sensing Valves are available in 4" Diameter size, with 150# flanges. The rugged aluminum and stainless steel construction of this full flow valve offers lightweight plus long service life durability and strength. Spill Check™ makes good economic and environmental sense.

Spill Check™ has been designed and manufactured through the collaborative efforts of Oil States HydroTech Systems Inc. and HMT Inc.

HMT TANK MAINTENANCE PRODUCTS AND SERVICES INCLUDE:

- Floating Roof Primary and Secondary Seals • Floating Roof Pivot Master® Drain Systems
- Tank Repair • Secondary Containment • Fire Protection Systems • In-Service Repair
- Spill Check™ Hydrocarbon Sensing Valves • Aluminator® Internal Floating Roofs
- Tank Inspection • Floorscanning • Tank Degassing • Suspended Roof Systems